



## E-301

### Description

The E-301 is a simple general purpose controller. This controller can be used in gas engines for 12 or 24 volt systems, and can have up to two speed sets. Speed sets can be enabled by setting the respective pins “high” (12/24V). These units are fully configurable by the customer using adjustable potentiometers to adjust gain and integral settings for optimal engine response. These controllers come conformally coated in a rugged enclosure.

### Features

High impact plastic case

Power supply 12/24VDC

Speed band +/- 0.3% at ambient temp

Temperature stability +/-1.5%

Speed range 3:1 standard

2 speed sets

Gain and integral adjustments

Speed input (ignition)

Mounting attitude: any  
(Vertical recommended)

Functionally tested

### Specifications

#### **Mechanical**

Operating Temp -30 to 85° C  
-22 to 185° F

Weight 1lb

#### **Power**

Supply Voltage 12V or 24V

Power Consumption 5W

External Fuse Required 7.5A

#### **Speed Sensor**

DIS Frequency up to 400Hz

Voltage 100V

#### **Governor**

Max Current 4A

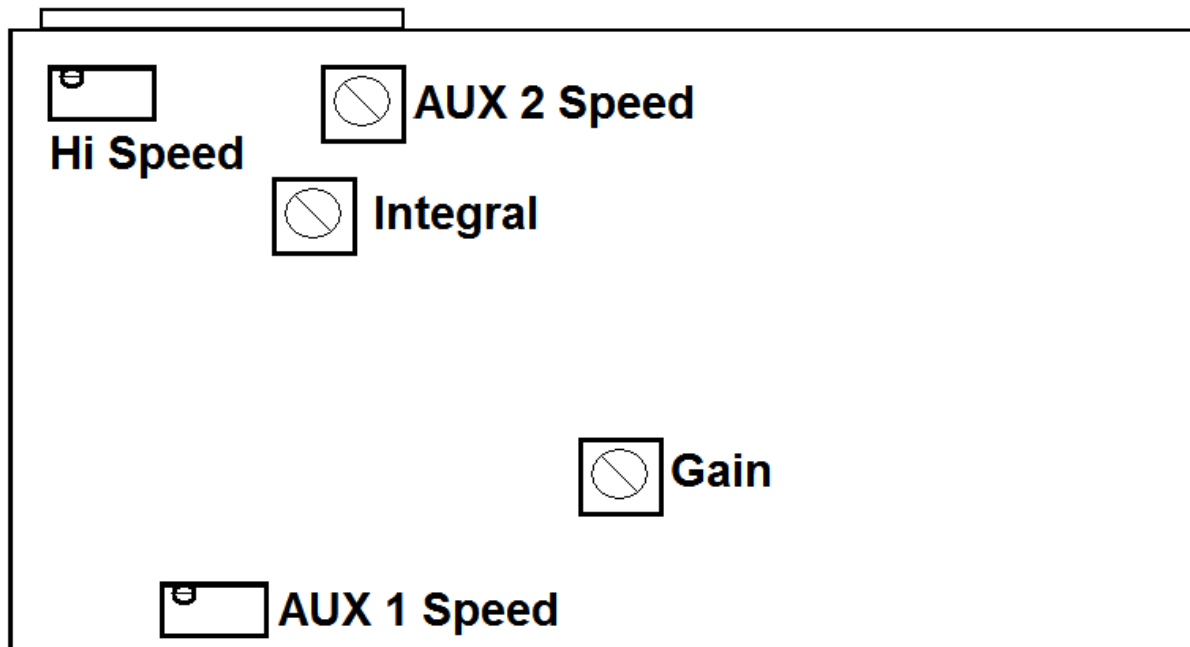
#### **Speed Set**

Threshold 8V

## Wiring

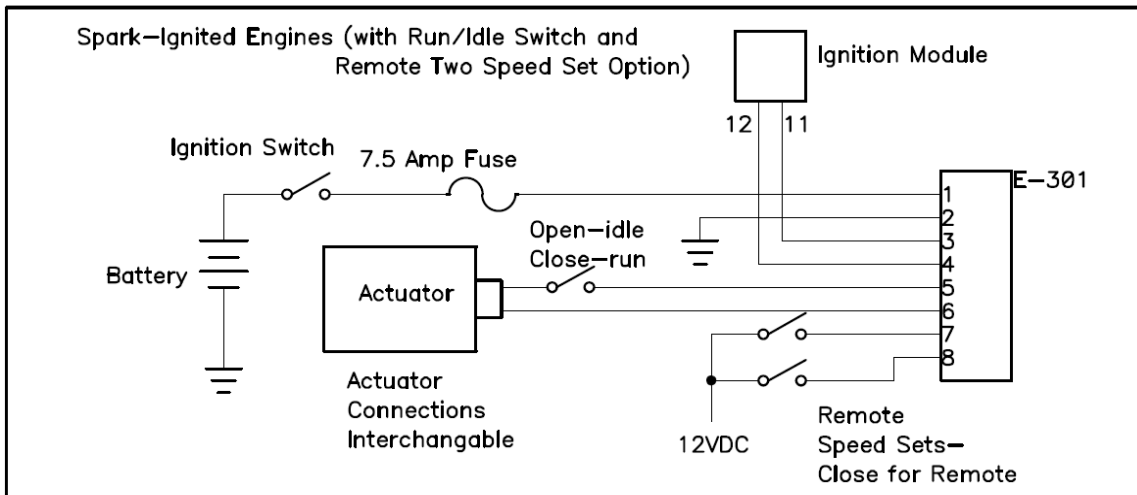
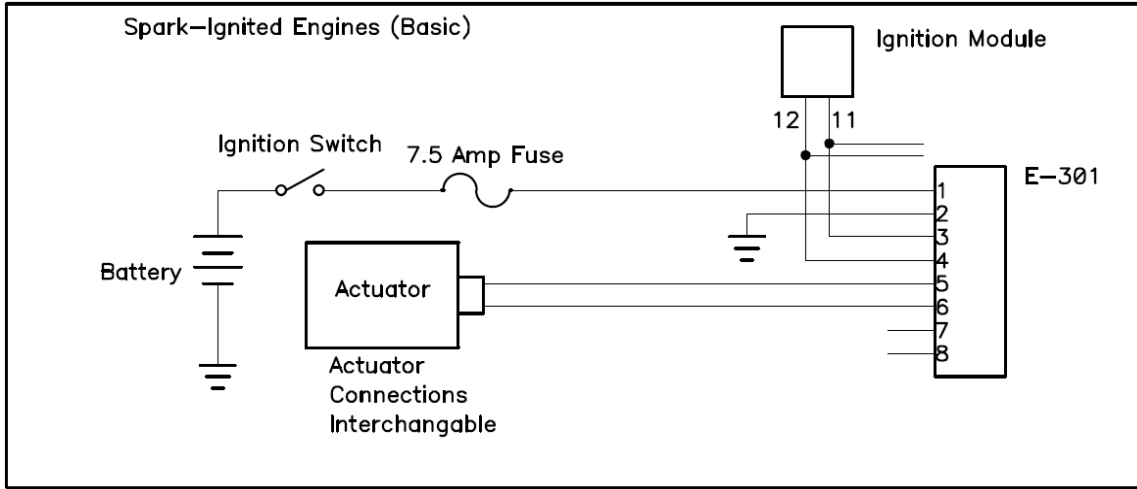
Pin	Description
1	+12/24V Power
2	Ground
3	Speed Sensor +
4	Speed Sensor -
5	Governor (polarity insensitive)
6	Governor (polarity insensitive)
7	Speed set 1
8	Speed set 2

### E-301 Pot Locations

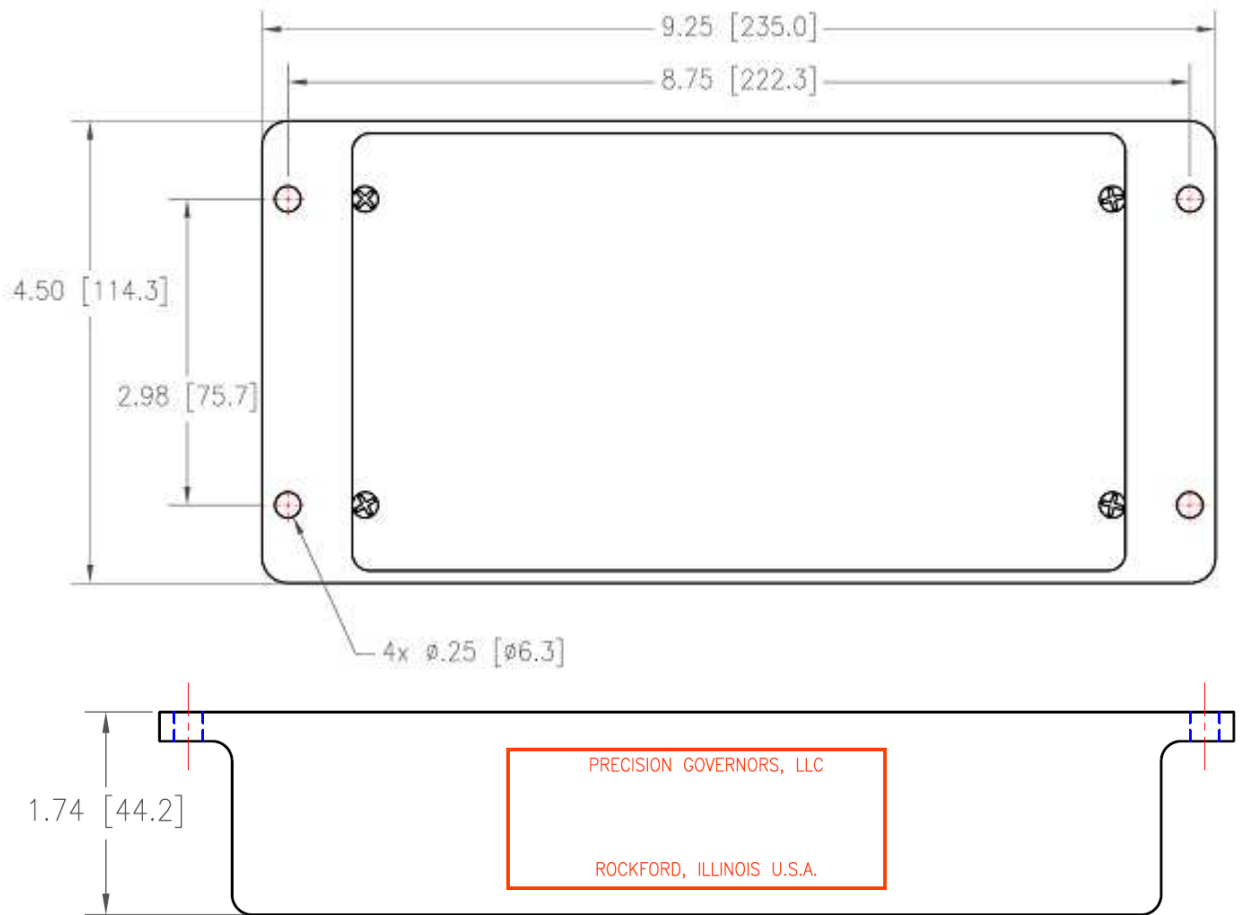


### **E-301 Electronics-Adjustment POTS**

**E-301 Schematics**



## Dimensions



## Reference

E-301

Model	Part #	Description
A	9060	2 speed
B	9061-1	3 speed